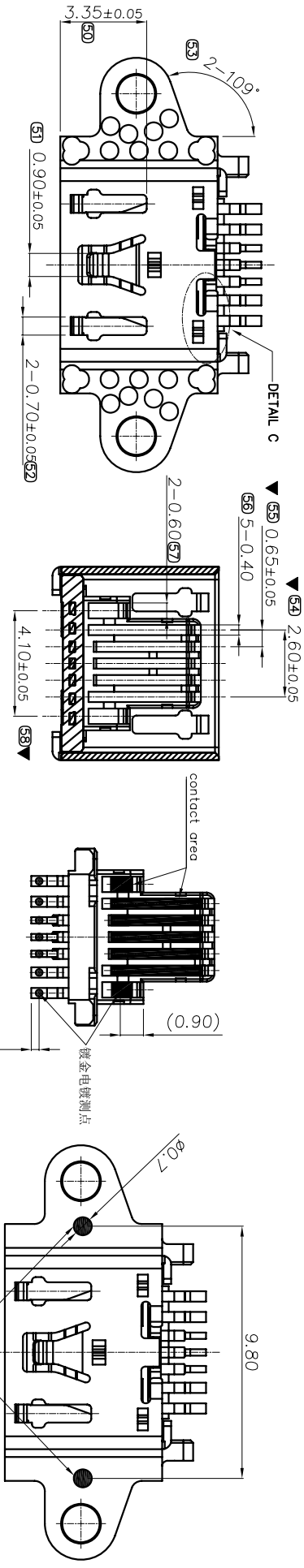
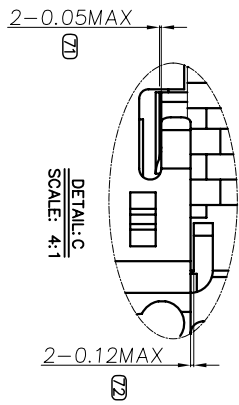
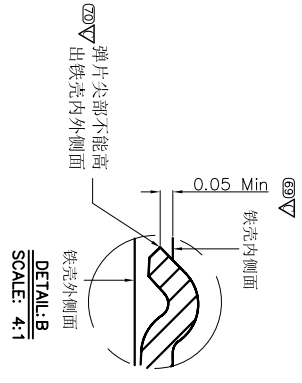
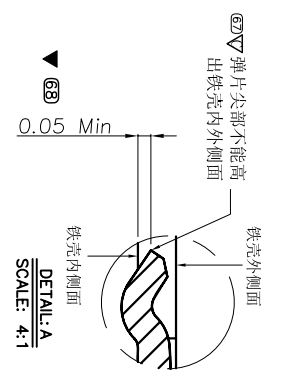
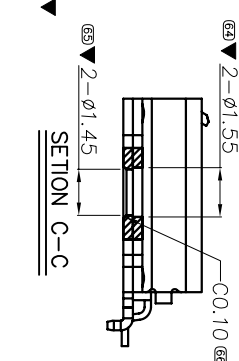
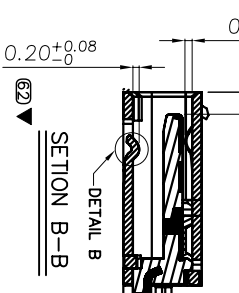
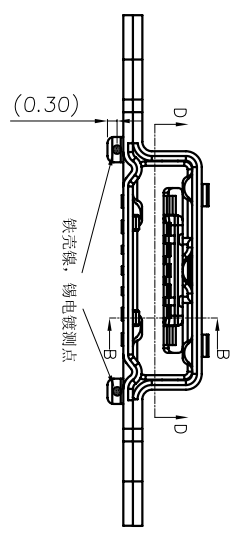


REV	ECN NO	DESCRIPTION	DATE	APPD
		见第一项组面		



点焊单点测试点, 规格: 20kgf/min
焊点整体拉力: 40kgf/min



ITEM	PART NAME	MATERIAL
①	SHELL	SUS301-1/2H
②	SUPPORT PLATE	SUS304-1/2H
③	CONTACT	C7025-TM02
④	HOUSING	PA101-R630

EXTEND USE	UNIT	TITLE	DWG NO
MICRO USB CONNECTOR WITH SUPPORT PLATE	mm	MICRO USB CONNECTOR MANUFACTURER DRAWING	C-3, 089A6

GENERAL TOLERANCE	RANGES	QTY	FINISHED
①	±0.30	±3°	PCS
②	±0.10	±2°	PCS
③	±0.05	±1°	PCS
④	±0.03	±1°	PCS

APPD	DRN	P/N:	SHEET
CHD	DRN	3,089A6-007-7R0	2/3
潘林红	许志远		
2017.11.07	2017.11.07		



